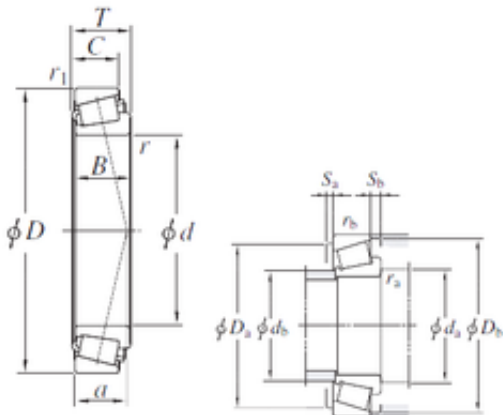




NACHI BEARING INDIA PRIVATE LTD.

HM231148/HM231110 Single row bearings inch

Bearing No. HM231148/HM231110



HM231148/HM231110 Bearing 2D drawings and 3D CAD models

Size	149.225x236.538x57.15 mm
Bore Diameter	149,225 mm
Outer Diameter	236,538 mm
Width	57,15 mm
d	149,225 mm
D	236,538 mm
T	57,15 mm
B	56,642 mm
C	44,45 mm
a	45,2 mm
r min.	6,4 mm
r1 min.	3,2 mm
da min.	167 mm
Da min	213 mm
Da max.	225 mm
db max.	168 mm
ra max.	6,4 mm
rb max.	3,2 mm
Db	222 mm
Weight	9,1 Kg
Basic dynamic load rating (C)	499 kN
Basic static load rating (C0)	832 kN
Calculation factor (e)	0,32
Calculation factor (Y0)	1,04